

## DM4370

### 10 Gigabit Ethernet Access Switch



Standalone Ethernet IP/MPLS  
Switch based on the DmOS  
network operating system,  
with GE and 10GE optical  
interfaces for high capacity  
metro ethernet access and  
demarcation applications.



Datacom Ethernet Switches consist of different product families that compose a complete portfolio for applications from access to core of the networking infrastructure. The product families are DM4000, DM4100, DM4050, DM4170 and DM4250 as core and aggregation ethernet switches, DM2100, DM2300 and DM4370 as ethernet demarcation switches and DM1100E/DM1200E as enterprise LAN switches.



## DM4370 – 10GE Access Switch

The DM4370 Ethernet Switch is a compact high performance access switch ready for the growing migration of the access services towards 10 Gbps. The switch is based on the Datacom's modular network operating system DmOS, with support for a complete layer2/layer3 feature set including MPLS support, turning it into the perfect fit for high bandwidth and high value enterprise or mobile backhaul access applications. The switch contains four optical SFP+ based 10GE interfaces,

four optical SFP based GE interfaces and four additional GE electrical interfaces.

The DM4370 switch has 1U height and can be installed even on desktop or on standard 19 inches rack, with a mechanical adapter supporting up to two switches side by side. The product has one universal AC/DC integrated power module and an additional 12V DC input for optional power redundancy for highly available services and operation.

### Key Features

- Wire Speed, with L2, L3 and MPLS forwarding, filtering and QoS done on hardware level
- IEEE802.1Q VLAN with Q-in-Q and VLAN Translate capabilities
- Link Aggregation and LACP
- Support for Ring applications through EAPS or ERPS protocols
- STP/RSTP for loop protection
- L2 Slow Protocol Tunneling (L2CP)
- Up to 8 QoS queues per port
- Static Routing and Dynamic Routing through OSPF and BGP protocols
- Virtual IP redundancy through VRRP protocol
- Operation as Label Edge Router or Label Switch Router through MPLS encapsulation
- LDP for label distribution on MPLS network infrastructure
- Ingress and Egress Rate Limit
- Packet classification by IEEE802.1p, DSCP, Source/Destination Port
- Packet Scheduling through SP and WFQ modes
- ACL Matches by port, MAC address, IP, DSCP, TCP/UDP
- CLI Management interface with Telnet/SSH
- TACACS and RADIUS for management access policies

## DmView – Integrated Network Management System

With a friendly graphical user interface and visualization of the equipment in topological maps, DmView offers managing functionalities for Datacom solutions. The management software also allows the equipment visualization and monitoring, allowing identification of operational status and active alarms, as well as the CLI Template that facilitates and accelerates the common configuration operations. DmView can run on highly available server clusters. Another important feature is the support for new DmOS firmware versions without the need to update DmView.

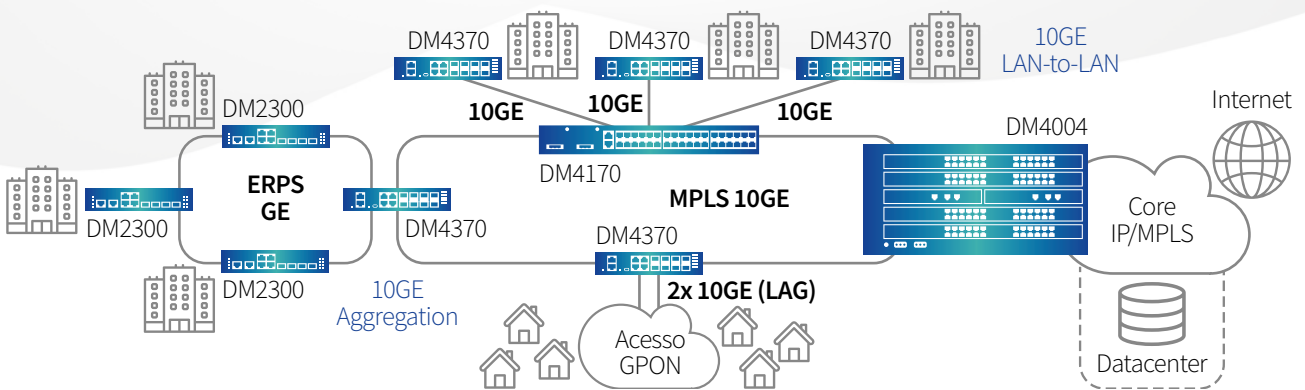
# Hardware Characteristics

	DM4370 4GT+4GX+4XS
GE Interface	8 (4x SFP and 4x RJ45)
10GE Interfaces	4 (SFP+)
Switch Fabric	96 Gbps
Power Supply	Universal integrated AC (100 - 240V) and DC (48 - 60V) DC 12V input for optional external adapter
Power Consumption	21W (typical)
Management Interfaces	GE out-of-band, RS232 Console and USB
Environmental	0 to 55°C operation temperature at 10% to 90% relative humidity
Dimensions	(HxDxW) 43mm x 189mm x 191mm

## Applications

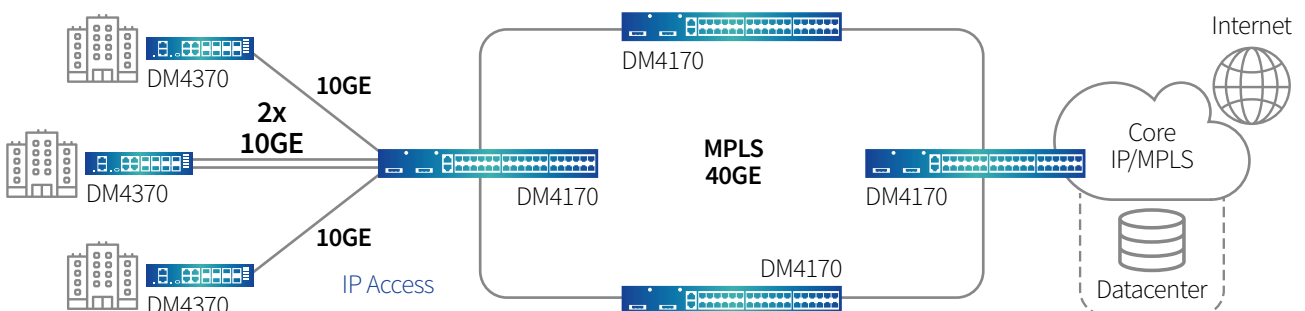
### METRO ETHERNET ACCESS AND AGGREGATION

Through its SFP based GE/10GE interfaces and the L2/L3 and MPLS functionalities, the DM4370 switch is the best solution for Metro Ethernet access and aggregation applications, offering a reliable and highly available solution for enterprise and residential services. The product supports linear, star and ring topologies, assuring the flexibility needed for different network infrastructure topologies.



### IP SERVICES ACCESS

Through functionalities like OSPF and BGP routing protocols, ACLs filtering up to L4 and QoS, the product can be used as an IP access solution for up to 10Gbps high value added enterprise services, with support for redundancy through features like LACP and VRRP, depending on the network topology and architecture. All of this with hardware based packet routing, forwarding and filtering, assuring wire speed operation to meet demanding business SLAs.





DATAKOM

[www.datacom.ind.br](http://www.datacom.ind.br)